

# RP2N Pressure switches

All industrial environments

Reduced overall dimensions

Good vibration resistance

Resistant to short duration overpressure

Conforms to CE

These pressure switches maintain a constant pressure around a chosen set value: regulator action. They trigger an alarm or safety system, when the pressure reaches a critical pre-set value.

Normal operation must be between 10% and 90% of the selected scale. The deadband values in the table overleaf are defined under these conditions.

Any pulsating circuit must be fitted with pulsation dampeners.

Suitable separators must be used with incompatible process fluids. RP2Y version to be used only with an intrinsically safe electrical installation.



## Technical Data (20°C)

<b>Fluids</b>	All fluids compatible with the measuring element from -40...+150°C
<b>Operating ambient temperature</b>	From -30...+70°C
<b>Storage temperature</b>	From -40...+70°C
<b>Reproducibility</b>	±2% of F.S.
<b>Minimum deadband</b>	Depending on the type of microswitch used (see table overleaf)
<b>Conforms to CE</b>	Low Voltage Directive DBT 73/23/CE Pressure Directive PED 97/23/CE
<b>Degree of protection</b>	IP 65 selon IEC 529 (NFC 20.010), NF EN 60529
<b>Weight</b>	0.960 kg

## Manufacturing

<b>Housing</b>	Polyamide PA6, blue
<b>Body</b>	Zamak plated black
<b>Wall mounting</b>	2 M5 screws
<b>Earth connection</b>	Via internal terminal block
<b>Electrical connection</b>	Via internal terminal P.G. 9 for cables 5.5 à 8.5 mm dia
<b>Graduated scale</b>	Internal calibrated scale
<b>Pressure connection</b>	G 1/2
<b>Measuring element</b>	1.4404 s.s. (316L) diaphragm

**BOURDON  
HAENNI**

made to measure

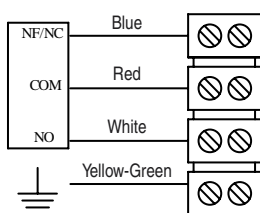


## Adjustable ranges

Scale	Code	P. maxi		MAXI FIXED DEADBAND				MINI-MAXI ADJUSTABLE DEADBAND		
		Permanent	Accidental	Standard (1xSPDT)		Gold contact	Hermétically sealed	Tropicalized	Adjustable	
				at 10 % of scale	at 90 % of scale	M	P	N	at 10 % of scale	at 90 % of scale
bar		bar		mbar	mbar	mbar	mbar	mbar	mbar	
0 + 1	41	10	50	30	60	120	330	*	*	
0 + 1.6	42			35	70	150	390	100 .. 200	200 .. 550	
0 + 2.5	43			40	80	180	480	125 .. 230	250 .. 700	
0 + 4	44			45	90	210	540	150 .. 290	320 .. 900	
0 + 6	45			50	100	240	630	190 .. 350	420 .. 1200	
0 + 10	46			55	110	300	750	260 .. 500	600 .. 1800	
0 + 4	51	40	100	110	200	600	1320	500 .. 1000	1250 .. 2000	
0 + 6	52			110	235	750	1620	550 .. 1100	1350 .. 2200	
0 + 10	53			120	270	840	2010	650 .. 1300	1500 .. 2600	
0 + 16	54			130	305	960	2370	800 .. 1600	1700 .. 3100	
0 + 25	55			140	340	1050	2730	1000 .. 2000	2000 .. 3900	
0 + 40	56			150	380	1140	3150	1400 .. 2800	2600 .. 5200	
0 + 10	61	100	200	200	500	1500	3600	1000 .. 2000	3000 .. 6000	
0 + 16	62			280	700	2100	3960	1150 .. 2300	3500 .. 7000	
0 + 25	63			360	900	2700	5550	1350 .. 2700	4200 .. 8400	
0 + 40	64			440	1100	3300	7350	1700 .. 3400	5350 .. 10700	
0 + 60	65			520	1300	3900	9600	2100 .. 4200	6900 .. 13800	
0 + 100	66			600	1500	4500	13200	3000 .. 6000	10000 .. 20000	

## Cable identification, current rating

### Cable identification

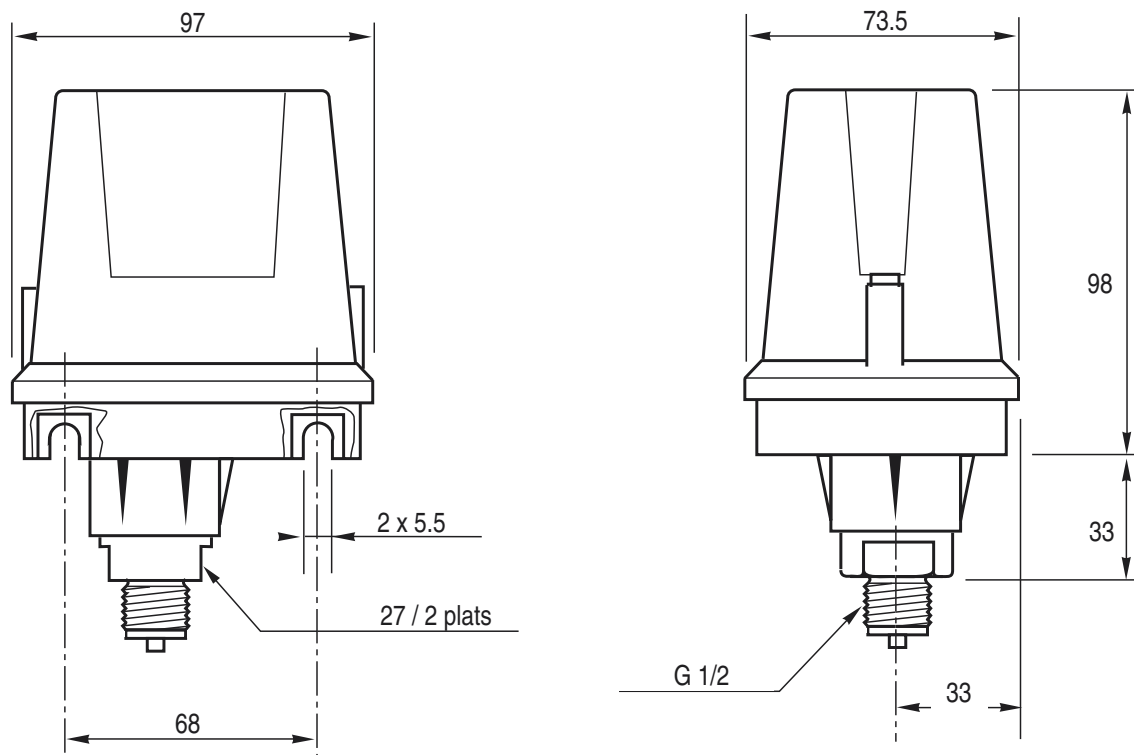


### Current rating

#### Microswitch type SPDT

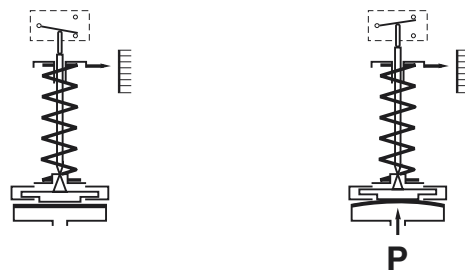
Letter	Microswitch type	Current rating
L	Standard Fixed deadband	0.4 A min.; 10 A max. 250 Vac max.
P	Hermetic Fixed deadband	0.4 A min.; 2 A max. 30 Vdc max.
R	Adjustable deadband	0.4 A min.; 10 A max. 250 Vac max.; 220 Vdc max.
M	Gold Contact Fixed deadband	10 mA min.; 50 mA max. 250 Vac max.; 220 Vdc max.
N	Tropicalized Fixed deadband	0.1 A min.; 10 A max. 250 Vdc max.; 48 Vdc max.

## Dimensions (mm)



## Operating principle

A flexible diaphragm actuates a microswitch by means of a piston. The set point is adjusted by means of a compressible spring installed in opposition.



## Options

Cleanliness for oxygen service **Code 0765**  
 Stainless steel tag plate and wire **Code 9941**  
 Connection on pipe 2 " dia. **Code 0407**  
 Adjustment of the set point **Code SETP**

## Ordering Details - RP2N

		RP2xxxx			
<b>Model</b>	<b>1' digit</b>	R			
Pressure switch					
<b>Type</b>	<b>2'...3' digit</b>	P2			
P2					
<b>Type of protection</b>	<b>4' digit</b>	N			
Standard					
<b>Type of microswitch</b>	<b>5' digit</b>	L			
1 standard changeover switch					
1 gold contact changeover switch		M			
1 hermetically changeover switch		P			
1 tropicalized changeover switch		N			
1 adjustable changeover switch		R			
<b>Hydraulic connection</b>	<b>6' digit</b>	3			
G 1/2 (standard version)					
1/2 NPT male		6			
1/4 NPT female		8			
1/2 NPT female		N			
<b>Pressure range</b>	<b>7'...8' digit</b>	xx			
See codes in table					

code	range in bar		
	0	+	
41	0	+	1
42	0	+	1.6
43	0	+	2.5
44	0	+	4
45	0	+	6
46	0	+	10
51	0	+	4
52	0	+	6
53	0	+	10
54	0	+	16
55	0	+	25
56	0	+	40
61	0	+	10
62	0	+	16
63	0	+	25
64	0	+	40
65	0	+	60
66	0	+	100

Some products of the range RPN are one day delivery time (ex-works) : *consult us*

UK/12-2004 This data sheet may only be reproduced in full.