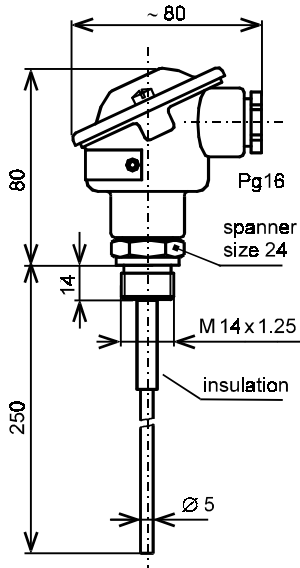
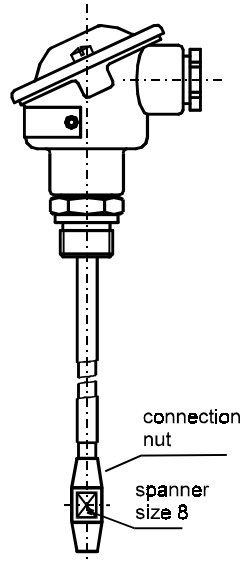


# Regulators of levels of conductive liquids - accessories

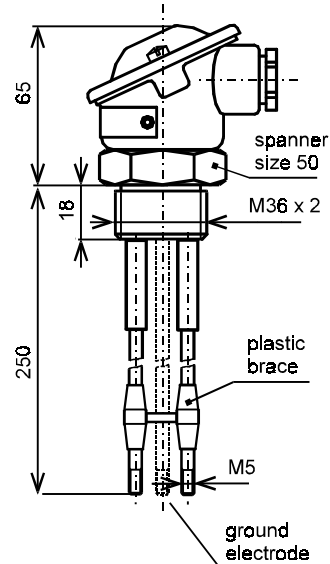
## Measuring electrodes



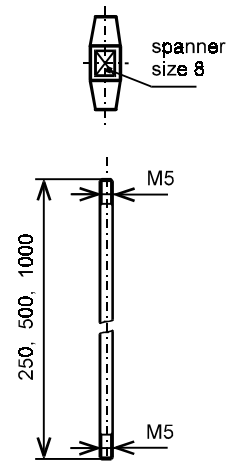
Measuring electrode with head **ST 1**  
(150°C, 1.5 MPa, IP 54)



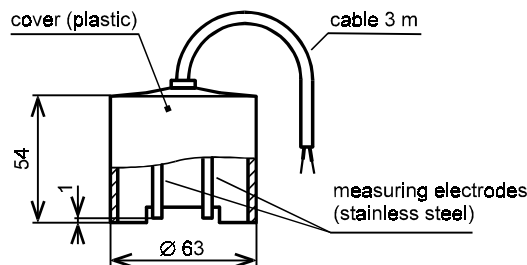
Measuring extendible electrode with head **ST 1P**  
(150°C, 1.5 MPa, IP 54)



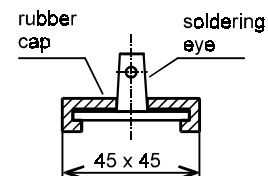
Double (triple) extendible electrode with head **ST 2(3)**  
(150°C, 1.5 MPa, IP 54)



Extension electrode with connecting nut



Monitoring electrode against flooding **SZ 1**  
(80°C)



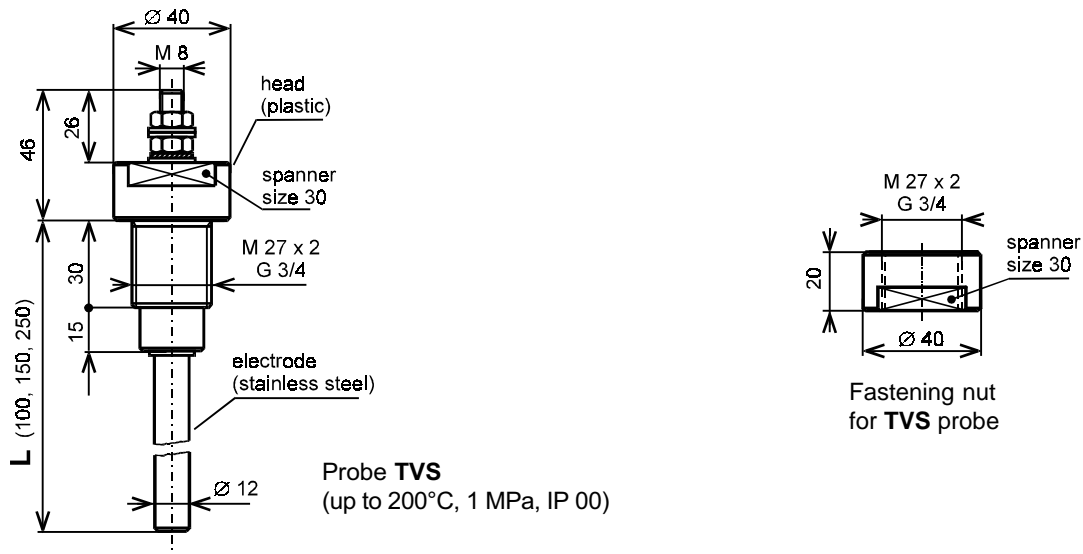
Immersion electrode for suspension **EP 901**  
(80°C)

### Ordering specifications

ordering number	type	description
405 613 106 951	<b>ST 1</b>	Measuring electrode with head
405 613 106 961	<b>ST 1P</b>	Measuring extendible electrode with head
405 613 106 952	<b>ST 2</b>	Double extendible measuring electrode with head
405 613 106 953	<b>ST 3</b>	Triple extendible measuring electrode with head
405 613 106 954	<b>SZ 1</b>	Monitoring electrode against flooding
405 613 106 955	<b>EP 901</b>	Immersion electrode for suspension
405 061 204 160		Extension electrode for ST 1P, ST 2, ST 3 - length: 250 mm
405 061 204 161		Extension electrode for ST 1P, ST 2, ST 3 - length: 500 mm
405 061 204 162		Extension electrode for ST 1P, ST 2, ST 3 - length: 1000 mm
405 061 204 101		Connecting nut for extension electrodes
405 061 204 021		Brace for electrodes ST 2, ST 3

Due to continuous development the producer reserves the right to make minor changes without prior notice.

## Probes TVS for high temperatures

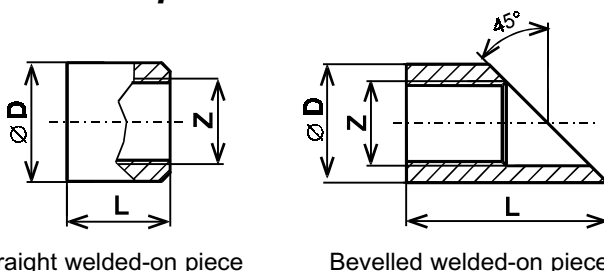


### Ordering specifications

Code	Probe type								
40 02841 90	Probe TVS for high temperatures								
	<table border="1"> <thead> <tr> <th>Code</th> <th>Thermal resistance [°C]</th> </tr> </thead> <tbody> <tr> <td>10</td> <td>- 40°C to +100°C</td> </tr> <tr> <td>20</td> <td>- 40°C to +150°C</td> </tr> <tr> <td>30</td> <td>- 20°C to +200°C</td> </tr> </tbody> </table>	Code	Thermal resistance [°C]	10	- 40°C to +100°C	20	- 40°C to +150°C	30	- 20°C to +200°C
Code	Thermal resistance [°C]								
10	- 40°C to +100°C								
20	- 40°C to +150°C								
30	- 20°C to +200°C								
	<table border="1"> <thead> <tr> <th>Code</th> <th>Electrode [mm]</th> </tr> </thead> <tbody> <tr> <td>1</td> <td>100</td> </tr> <tr> <td>2</td> <td>150</td> </tr> <tr> <td>3</td> <td>250</td> </tr> </tbody> </table>	Code	Electrode [mm]	1	100	2	150	3	250
Code	Electrode [mm]								
1	100								
2	150								
3	250								
	<table border="1"> <thead> <tr> <th>Code</th> <th>Thread</th> </tr> </thead> <tbody> <tr> <td>1</td> <td>M 27 x 2</td> </tr> <tr> <td>2</td> <td>G 3/4</td> </tr> </tbody> </table>	Code	Thread	1	M 27 x 2	2	G 3/4		
Code	Thread								
1	M 27 x 2								
2	G 3/4								
40 02841 90	20 3 2								

Probe TVS fastening nut		
ordering number	thermal resistance [°C]	thread
40 02841 004001	- 40°C to +100°C	M 27 x 2
40 02841 004002	- 40°C to +150°C	M 27 x 2
40 02841 004002	- 20°C to +200°C	M 27 x 2
40 02841 004004	- 40°C to +100°C	G 3/4
40 02841 004005	- 40°C to +150°C	G 3/4
40 02841 004006	- 20°C to +200°C	G 3/4

## Welded-on pieces



### Dimensions

welded-on piece	thread Z	length L [mm]	diameter D [mm]
straight	M 14 x 1.25	20	20
	M 27 x 2	55	35
	G 3/4		
bevelled	M 36 x 2	30	50
	M 27 x 2	35	20
	G 3/4		
	M 36 x 2	55	35

### Ordering specifications

ordering number
405 061 240 070
405 061 240 071
405 061 240 080
405 061 240 081
405 061 221 316
405 061 240 082
405 061 232 816

### description

Straight welded-on piece M14 x 1.25
Bevelled welded-on piece M14 x 1.25
Straight welded-on piece G1/4
Bevelled welded-on piece G1/4
Straight welded-on piece M27 x 2
Bevelled welded-on piece M27 x 2
Straight welded-on piece M36 x 2 for electrodes ST 2 and ST 3